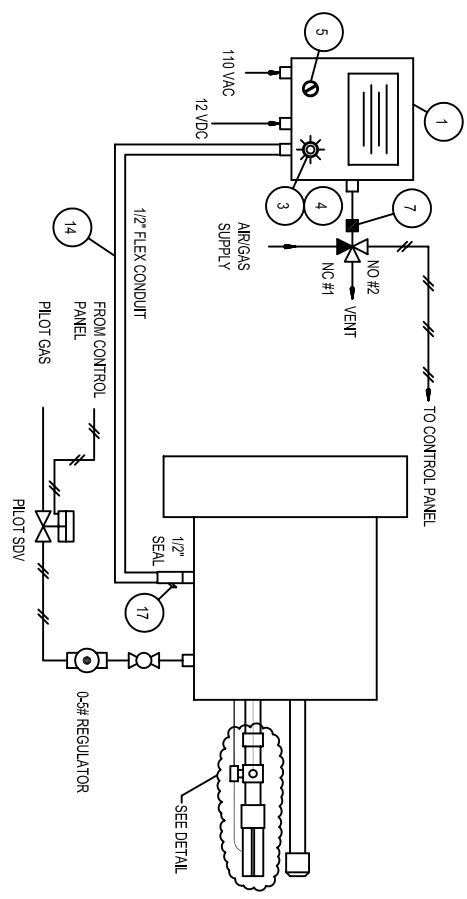


**RECOMMENDED INSTALLATION**



**OPTIONAL**

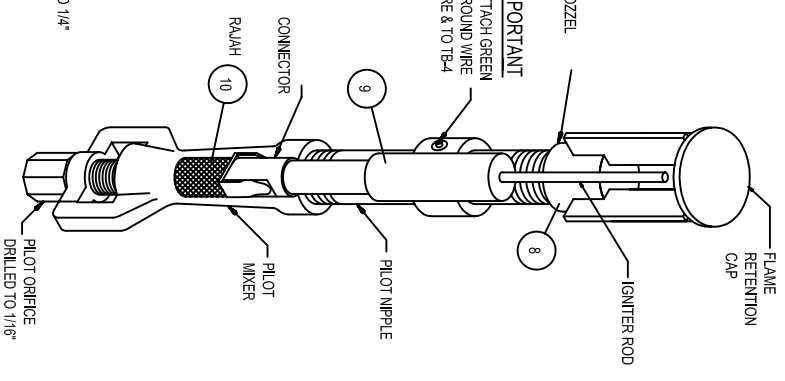
\* LOCATE TIP OF ELECTRODE BETWEEN FINS  
 \* SPARK GAP BETWEEN IGNITOR ELECTRODE  
 AND GROUND MUST BE 1/8" TO 1/4"

SEE "DETAIL" BELOW

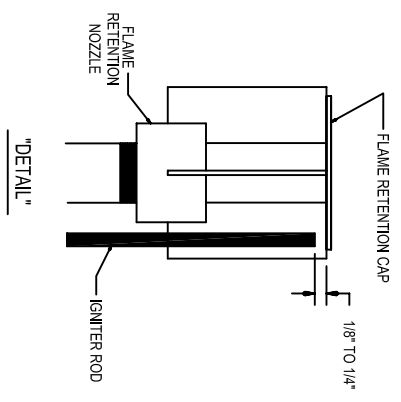
**CAUTION**  
 THIS UNIT MUST BE INSTALLED  
 BY QUALIFIED PERSONNEL ONLY.  
 FOR PROFESSIONAL INSTALLATION,  
 PLEASE CALL FAILSAFE CONTROLS, LLC  
 @ (337) 365-2493

FLAME RETENTION NOZZEL

**\*IMPORTANT**  
 \* ATTACH GREEN  
 GROUND WIRE  
 HERE & TO TB-4



**PILOT ASSEMBLY VIEW**



**"DETAIL"**



FAILSAFE CONTROLS, LLC

FC-12110-4X-01

INSTALLATION DIAGRAM

DRAWN BY: KJR

CUSTOMER:

DATE: 8/06

SCALE: N/A

REV: 0